

ROTOR

Rotor Vitamat Inox RVI

The totally stainless steel high-performance juicer

- 2 electronically-controlled speed levels
- high juice yield and productivity
- powerful high-speed motor
- easy to clean
- very robust and quiet



Next generation
with even more power



A Swiss quality product which sets a higher standard worldwide!

Rotor Vitamat Inox juicer

The new Rotor Vitamat Inox high-performance juicer is convincing with its robustness, simplicity and substantially increased productivity.

The Vitamat Inox is based on a special motor manufactured by Rotor Lips, which rotates substantially faster than other commercial juicers. For this reason the unit has a better juice yield and works quicker.

Furthermore optimal output is enabled by the two different speeds, a lower one for soft fruit and a higher one for hard fruits and vegetables. Drive is direct via the powerful, temperature-resistant motor with robust special ball bearings.



Robust motor base with very quiet drive

Large funnel in two versions

The Rotor Vitamat Inox juicer is available in **versions R and H**. Thus the optimal solution can be chosen for the main products to be processed. Both versions can however be used across the board.

Version R has a round, eccentric feed chute. This allows rapid processing of soft and round fruits (for example apples, pears or peeled oranges).

For smaller or harder fruits and vegetables, such as carrots, **version H** with the semicircular feed chute is the optimum choice. The reduced funnel cross-section makes the required expenditure of energy lower and the processing time shorter.



Rotor Vitamat Inox R with round funnel



Rotor Vitamat Inox H with semi-circular funnel



Juice flowing without interruption

With its subtle geometry, the new Vitamat Inox is significantly less inclined to clog, and thank to the selectable speed can even juice apples excellently.

The pomace is automatically ejected directly into the large container or via an optional stainless steel funnel into a waste bin below the counter.

The pulp container supplied with the unit is made of high-quality break-resistant plastic and has a capacity of 12 litres.



Hygienically problem-free and easy to clean

Stainless steel was consistently chosen for the material. All parts coming into contact with food can be cleaned in the dishwasher without any restriction. In particular the spinning basket has no plastic or magnetic material. The grating disc is screwed into the spinning basket and when worn can be easily exchanged.



Lid with large circular funnel made from stainless steel



Robust spinning basket, completely stainless steel



Plunger made of solid, impact-resistant rigid polyethylene



1-piece catch container made of stainless steel

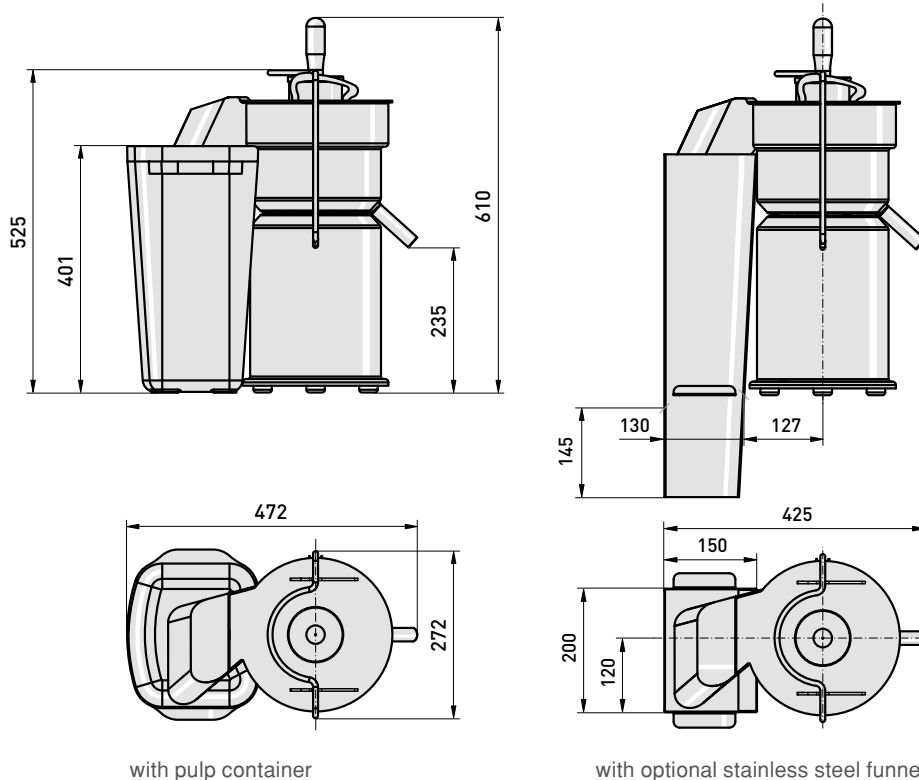
Rotor Vitamat Inox juicer RVI



Safe despite high speed

The solid lid is secured with a pivoting bracket. If this is opened, the power supply cuts out. The spinning basket is furthermore solidly screwed to the drive shaft. A solid device circuit breaker protects the motor from overload and overheating.

The juicer meets the international CE standards, while the demands of the NSF (food hygiene) were also taken into account in the design.



with pulp container

with optional stainless steel funnel

Technical Data

Model	Rotor Vitamat Inox R or H (RVI.R / RVI.H)
Article number	Version R: 1210.01x / Version H: 1210.04x
Voltage	230 V / 50 Hz / 5,0 A or 120 V / 60 Hz / 7,2 A
Power	900 W continuous operation / ~ 1600 W Peak
Processing capacity	Depending on the product, up to approx. 200 kg apples or 150 kg carrots per hour
Speeds	5000 or 5600 U/min
Dimensions	472 x 272 x 610 mm
Net weight	16,5 kg

Production and sales

Switzerland

Rotor Lips AG

CH-3661 Uetendorf

Phone +41 (0)33 346 70 70

www.RotorLips.ch

Sales and service

Germany

Feuma Gastromaschinen GmbH

DE-04639 Gößnitz

Phone +49 (0)34493 21555

www.rotor.de

Sales and service

Austria


Rotor Küchenmaschinen GmbH

AT-5400 Hallein

Phone +43 (0)6245 80881

www.rotor.at

Swiss Made.

The machine complies with the CE-regulations. 

Your distributor:

All rights reserved to make alterations without prior notice.

ROTOR  **FEUMA**

Rotag-Group The quality makers of robust catering machines